



KLIXON | IYS10 SERIES

Quick Response Thermostats

Specifications

- Operating temperature range: 60°C ~ 150 °C
- Open temperature tolerance: +/-5K
- Contact rating: 240Vac, 12A, 10K cycles
120Vac, 16A, 6K cycles
- Max. Temp. of switch head: 150°C
- Switch actions: Auto Reset type
- Constructions: Incorporated, non-electronic

Applications

The IYS10 operates as a sensitive power cut-out for:

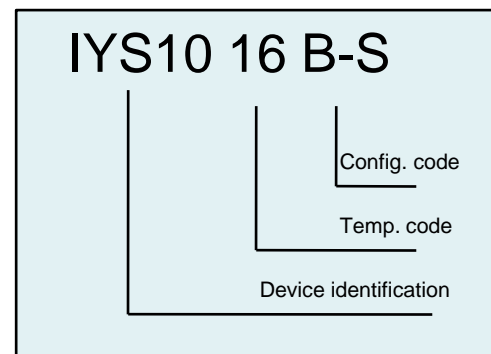
- Hair dryers
- Fan heaters
- Hand dryers

Agency Approval

- UL/C-UL E34618
- ENEC 2150127.01
- CQC CQC12002067037

Temperature code

Standard Operating Temperature(°C)			
Operating Temperature	Temperature Code	Operating Temperature	Temperature Code
60°C	56	110°C	36
65°C	96	115°C	41
70°C	71	120°C	01
75°C	51	125°C	81
80°C	91	130°C	11
85°C	61	135°C	06
90°C	21	140°C	66
95°C	31	145°C	76
100°C	26	150°C	46
105°C	16		



WORLD CLASS PERFORMANCE

IYS10 was developed by Sensata Technologies to best protect people and property from accidents occurring on products such as Hair Dryer/Fan heater/Hand dryer. It is an automatic resettable, incorporated thermal cut-out (Type 2C). The IYS10 constructed with only few parts as a simple and open design (IP00).